

# KINÔ

## Acoustic desk divider

myo

### AESTHETIC BENEFITS

Sobriety & simplicity of design

Trendy material

2 elegant and timeless colors  
or fabric-covered (28 colours)

### TECHNICAL BENEFITS

Certified acoustic performance:  
 $\alpha_w = 0.95$  - Class A - Test report in  
EAA

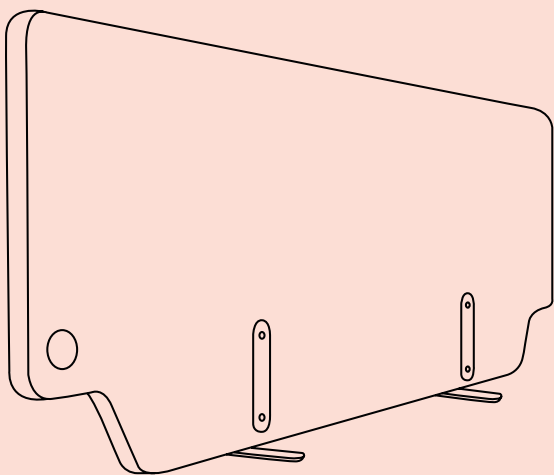
Light product and easy to install

Free standing or desk fixing

Fixing kit for desk bench

Easy cable routing

Product adaptation on request



MYO\_FP-05.2023

5 YEARS  
Guarantee



OEKO-TEX®  
CONFIDENCE IN TEXTILES  
STANDARD 100




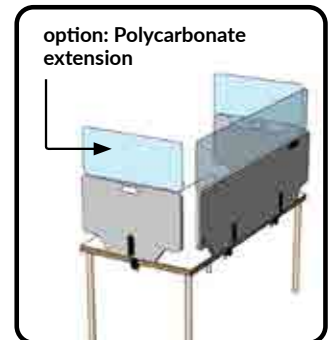
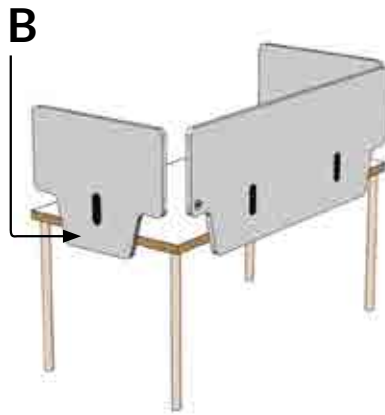
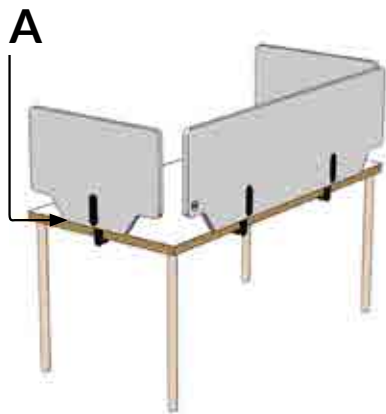
Since 2014

# KINÔ

## Acoustic desk divider

Consisting a polyester fiber panel 480mm high above the desk top, the divider is available in a several versions: flush or hanging under the desk on which it is fixed, with or without a transparent extension.

FIXINGS		FINISHES		OPTION	OPTIONAL FABRIC FINISH
READY TO INSTALL on the table top (from 5 to 42mm thick)	TO BE PLACED	POLYESTER Thickness: 24 mm		Polycarbonate extension	PET covered with a fabric of the same colour on the 2 sides :  <b>HUSH</b> 28 colors 80% polyester/20% viscose
1 or 2 clamps RAL 9005	1 or 2 feet RAL 9005	2 COLORS Light grey (GY04) Dark grey (GY06)			

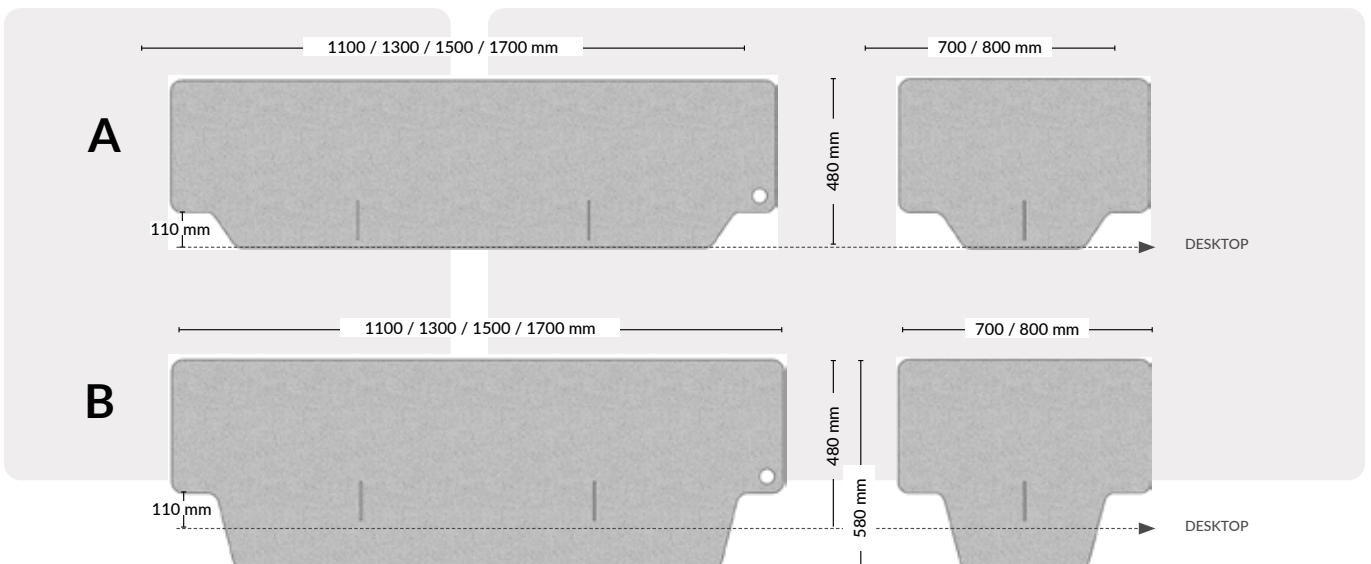


### Kinô - Front desk divider

Visible height above the desk: 480 mm

### Kinô - Side desk divider

Visible height above the desk: 480 mm



# KINÔ

## Acoustic desk divider

myo-solutions.com

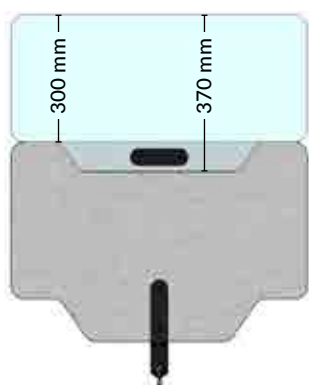
### Dimensions & Average weights

	WIDTH X HEIGHT X THICKNESS	AVERAGE WEIGHTS (kg) WITHOUT PACKAGING
<b>Front desk divider</b> Visible height above the desk: 480 mm		
<b>A</b>	1100 x 470 x 24 mm	2,3
	1300 x 470 x 24 mm	2,8
	1500 x 470 x 24 mm	3,2
	1700 x 470 x 24 mm	3,7
<b>B</b>	1100 x 580 x 24 mm	2,7
	1300 x 580 x 24 mm	3,3
	1500 x 580 x 24 mm	3,9
	1700 x 580 x 24 mm	4,4
<b>Side desk divider</b> Visible height above the desk: 480 mm		
<b>A</b>	700 x 470 x 24 mm	1,4
	800 x 470 x 24 mm	1,7
<b>B</b>	700 x 580 x 24 mm	1,6
	800 x 580 x 24 mm	1,9

### Product Adaptation

For specials, the dimensions of the Kinô desk divider can be adjusted with the following limits:  
 maximum width = 2000 mm /  
 maximum height = 1000 mm

All requests for adaptation, dimensions and / or shape, must be subject to consultation and technical validation.



**option: Polycarbonate extension**  
(fixing system supplied)

WIDTH X HEIGHT X THICKNESS	
700 x 370 x 3 mm	1300 x 370 x 3 mm
800 x 370 x 3 mm	1500 x 370 x 3 mm
1100 x 370 x 3 mm	1700 x 370 x 3 mm

# KINÔ

## Acoustic desk divider

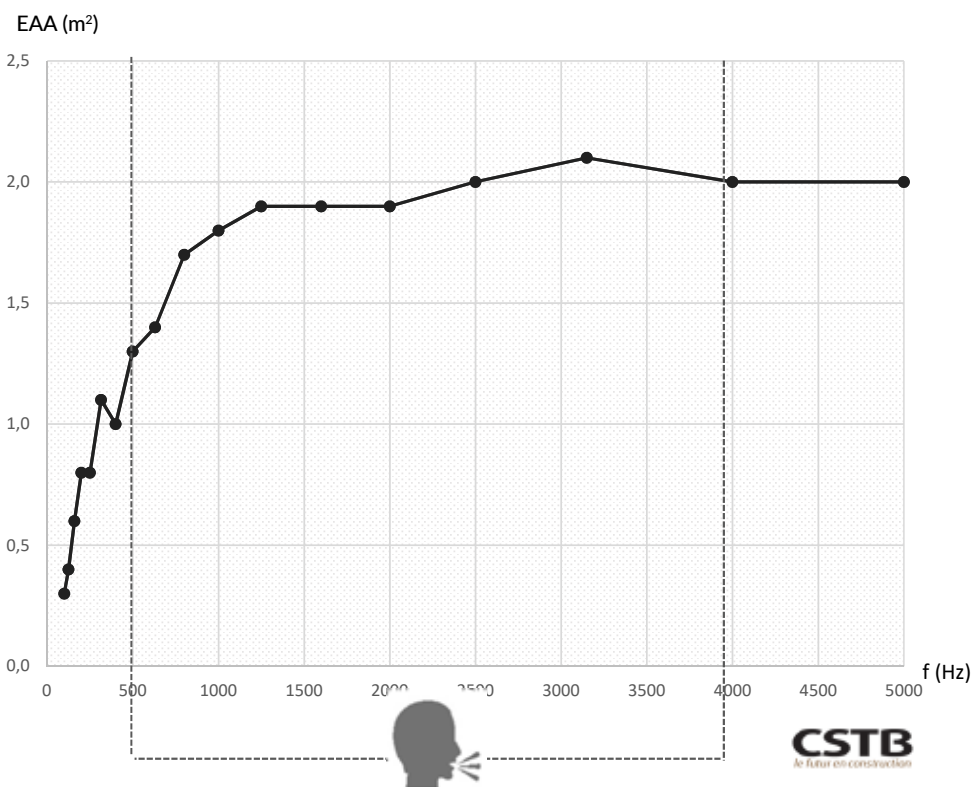
myo-solutions.com

### Acoustic

The Equivalent Absorption Area (EAA) of an element (A) is expressed in sqm. It characterises the absorptency of the element per frequency band: the higher the value, the greater the absorptency of the element.

f (Hz)	EAA
100	0,3
125	0,4
160	0,6
200	0,8
250	0,8
315	1,1
400	1,0
500	1,3
630	1,4
800	1,7
1000	1,8
1250	1,9
1600	1,9
2000	1,9
2500	2,0
3150	2,1
4000	2,0
5000	2,0

NF EN ISO 354



# KINÔ

## Acoustic desk divider

myo-solutions.com

### Fixing systems

#### TO BE PLACED



	<b>FRONT desk divider</b> KITPIEDSEP-9005F (x2)	<b>10 mn</b>
	<b>SIDE desk divider</b> KITPIEDSEP-9005F (x1)	<b>5 min</b>

#### TO BE CLAMPED



	<b>FRONT desk divider</b> Table top from 5 to 42mm thick KITLATESEP-9005F (x2)	<b>20 mn</b>
	<b>SIDE desk divider</b> Table top from 5 to 42mm thick KITLATESEP-9005F (x1)	<b>10 mn</b>
	<b>Desk divider for BENCH DESKS</b> Table top from 5 to 42mm thick Space between table top : from 5 to 50mm thick KITCENTSEP-9005F (x1 ou x2)	<b>10 to 20 mn</b>



## Assembly

To allow careful assembly, myO products are delivered with: assembly instructions + a pair of cotton gloves.